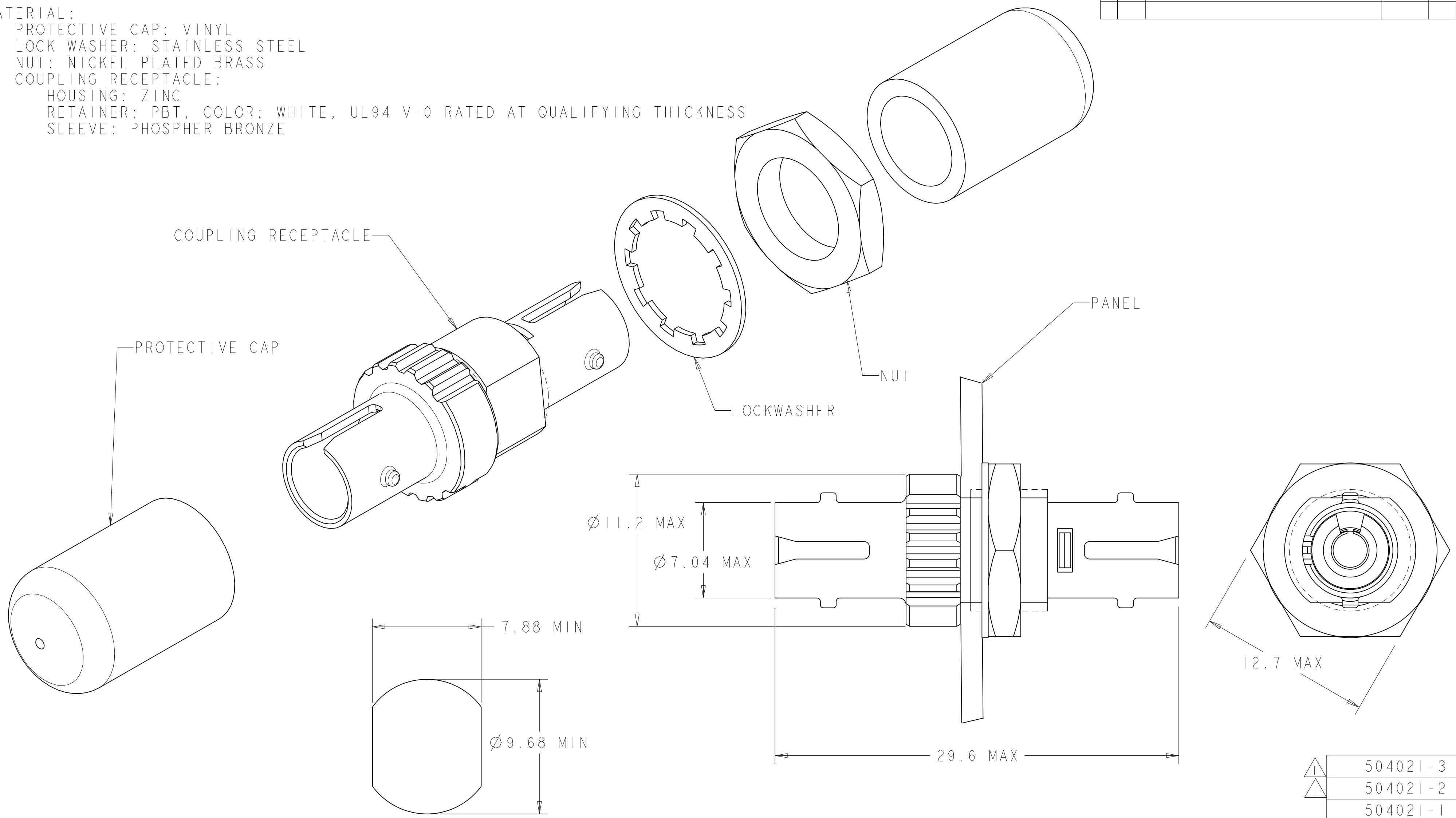


THIS DRAWING IS UNPUBLISHED. RELEASED FOR PUBLICATION 20
 © COPYRIGHT 20 BY TYCO ELECTRONICS CORPORATION. ALL RIGHTS RESERVED.

LOC		DIST		REVISIONS					
CE		00		P	LTR	DESCRIPTION	DATE	DWN	APVD
				K		REVISE PER 0A00-0189-05	11MAY2005	BB	SB
				L		REVISE PER ECR-05-009810	02SEPT2005	BB	SB

1 BULK PACKAGED.

2 MATERIAL:
 PROTECTIVE CAP: VINYL
 LOCK WASHER: STAINLESS STEEL
 NUT: NICKEL PLATED BRASS
 COUPLING RECEPTACLE:
 HOUSING: ZINC
 RETAINER: PBT, COLOR: WHITE, UL94 V-0 RATED AT QUALIFYING THICKNESS
 SLEEVE: PHOSPHER BRONZE



1	504021-3
1	504021-2
	504021-1
PART NUMBER	

SUGGESTED PANEL CUTOUT

<small>THIS DRAWING IS A CONTROLLED DOCUMENT FOR TYCO ELECTRONICS CORPORATION IT IS SUBJECT TO CHANGE AND THE CONTROLLING ENGINEERING ORGANIZATION SHOULD BE CONTACTED FOR THE LATEST REVISION.</small>		DWN B. BRIGGS	11MAY2005	Tyco Electronics Harrisburg, PA 17105-3608
DIMENSIONS: mm		CHK S. BUCHTER	11MAY2005	
		APVD S. BUCHTER	11MAY2005	
TOLERANCES UNLESS OTHERWISE SPECIFIED: 0 PLC ± 1 PLC ± 2 PLC ± 3 PLC ± 4 PLC ± ANGLES ±		PRODUCT SPEC		
MATERIAL 2		FINISH		NAME KIT, COUPLING RECEPTACLE, 2.5mm BAYONET, MM/SM
		APPLIC. SPEC		SIZE A2
		WEIGHT		CAGE CODE C=504021
		CUSTOMER DRAWING		DRAWING NO 504021
				RESTRICTED TO -
				SCALE 5:1
				SHEET 1 OF 1
				REV L